

EZ Series Axial Fans



AIR TECHNOLOGY

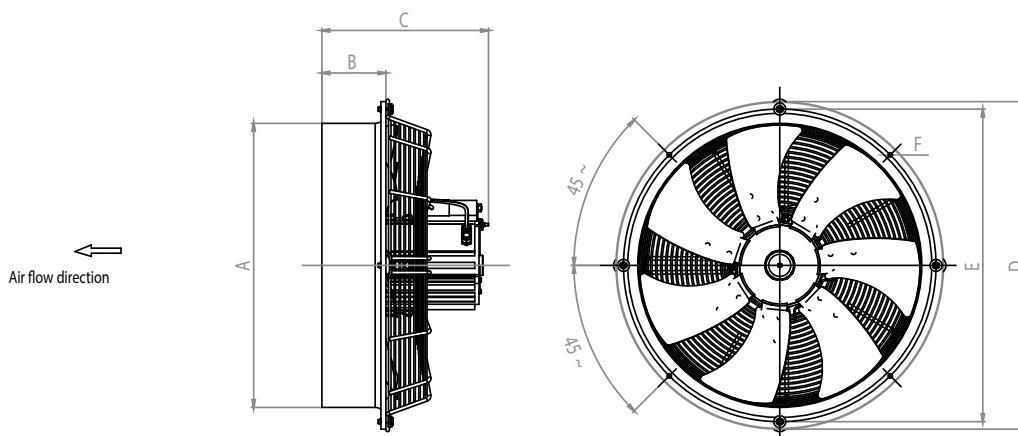


EZ Series Axial Fans



230V 50Hz 1~ Power Supply								
	EZ-046-M4-S		EZ-051-M4-S		EZ-056-M4-S		EZ-063-M4-S	
Air flow (m ³ /h):	6700	4800	8500	5600	1100	7300	15000	9600
Static pressure Pstf (Pa):	0	120	0	170	0	210	0	260
Absorbed power Pe (watt):	440	500	640	760	1050	1220	1820	1930
Absorbed current (amp):	2.0	2.3	3.0	3.5	4.6	5.4	7.9	8.6
Speed (1/min):	1400	1370	1380	1340	1450	1425	1435	1425
Efficiency grade N:	40.1		41.1		41.1		40.0	

400V 50Hz 3~ Power Supply								
	EZ-051-D4-S		EZ-056-D4-S		EZ-063-D4-S		EZ-066-D4-S	
Air flow (m ³ /h):	8500	5600	11000	7200	16000	9800	17000	13000
Static pressure Pstf (Pa):	0	170	0	205	0	270	0	300
Absorbed power Pe (watt):	650	780	915	1160	1850	2040	1800	2200
Absorbed current (amp):	1.3	1.5	1.9	2.2	3.5	3.8	3.5	3.9
Speed (1/min):	1370	1330	1420	1395	1440	1435	1445	1420
Efficiency grade N:	40.9		41.4		41.1		52.5	



	EZ-046-M4-S	EZ-051-M4-S	EZ-051-D4-S	EZ-056-M4-S	EZ-056-D4-S	EZ-063-M4-S	EZ-063-D4-S	EZ-066-D4-S
Ø A	468 ±2	518 ±2		568 ±2		363 ±2		668 ±2
B	112 ±2	110 ±2		128 ±3		130 ±3		110 ±3
C	272 ±7	269 ±8	266 ±8	332 ±8	302 ±8	348 ±8	318 ±8	298 ±8
Ø D	545 ±1	595 ±2		665 ±1		755 ±1		
Ø E	512 ±1	575 ±1		625 ±1		725 ±1		
Ø F	9							

AIR TECHNOLOGY

