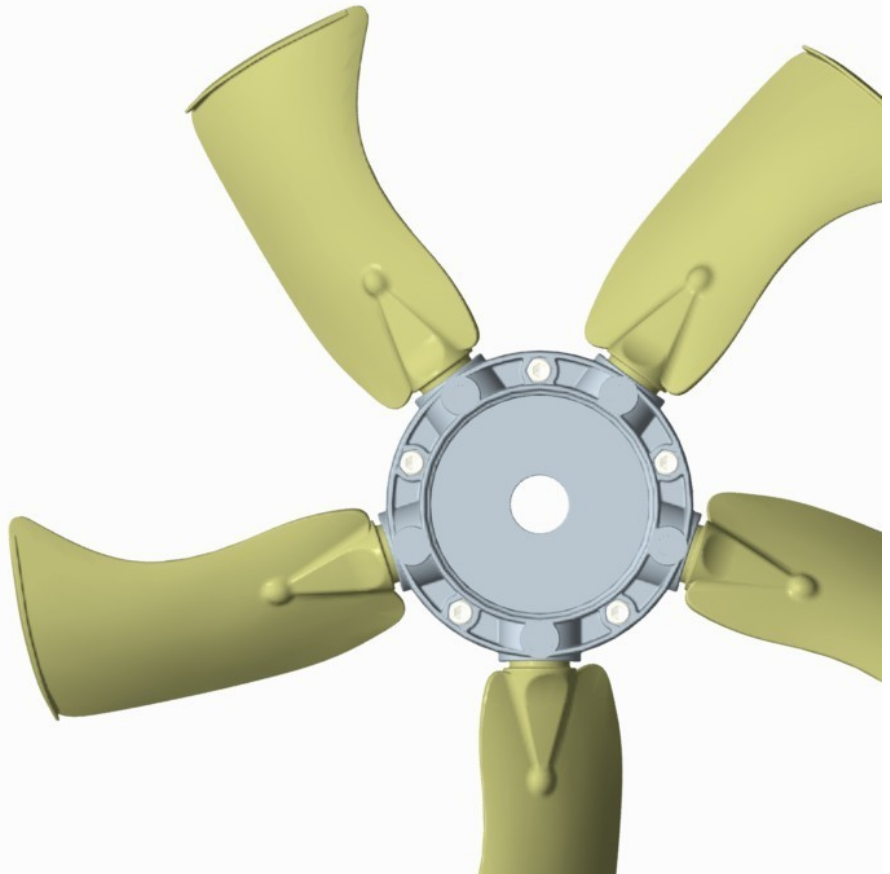


Fans

RQWA

The RQWA flying lines has been designed to get high performances with a compact look, and with the widest application availability typical of variable pitch angle fans.

The blades stiffness assure reliability and silence in the heavy duty applications



TECHNICAL FEATURES

- 5 blades in PA66 GF30
- Diecasted aluminium hubs
- Customized diameter on request, max 436mm
- Puller clockwise rotation
- Variable pitch 30° to 45°
- Temperature range -30°C to +110°C
- Customized fixing holes
- Possibility of assembling standard diecasted alu hubs



Via Torino 272, 10040 Leini (TO) Italy

Tel.: (+39) 011.998.07.77

Fax: (+39) 011.997.35.35

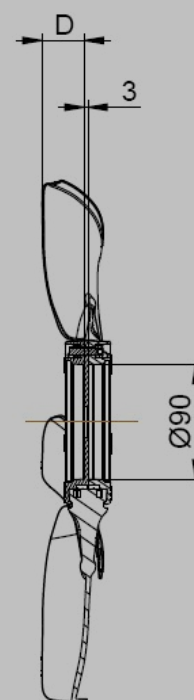
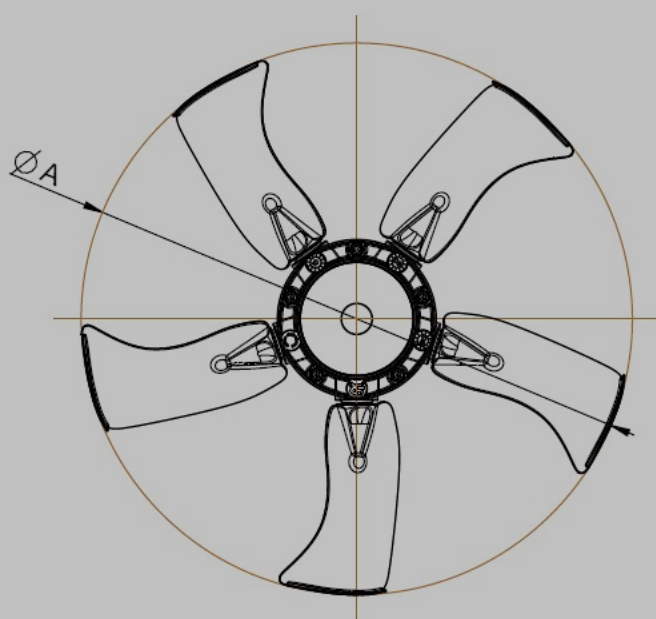
<http://www.fratellirosati.it>

E-mail: info@fratellirosati.it

Fans

RQWA

Clockwise rotation



$\varnothing A$	B	C	D
436	51	46	30
	53	52	32
	56	59	35
	58	66	37

All measures are expressed in millimeters.