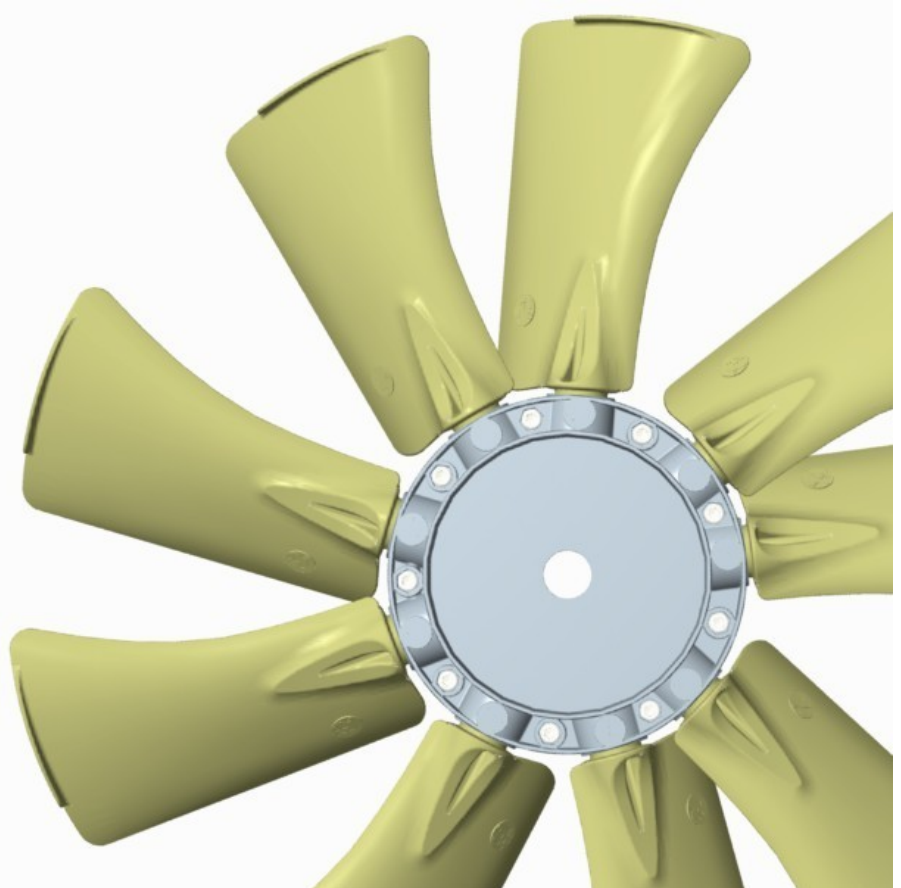


# Fans

# RKWE

The RKWE flying lines has been designed to get high performances with a compact look, and with the widest application availability typical of variable pitch angle fans.

The blades stiffness and the asymmetric configuration assure reliability and silence in the heavy duty applications on earth-moving and agri machines.



## TECHNICAL FEATURES

- 9 blades in PA66 GF30
- Diecasted aluminium hubs
- Customized diameter on request, max 552mm
- Puller clockwise rotation
- Variable pitch 30° to 50°
- Temperature range -30°C to +110°C
- Customized fixing holes
- Possibility of assembling standard diecasted alu hubs



Via Torino 272, 10040 Leini (TO) Italy

Tel.: (+39) 011.998.07.77

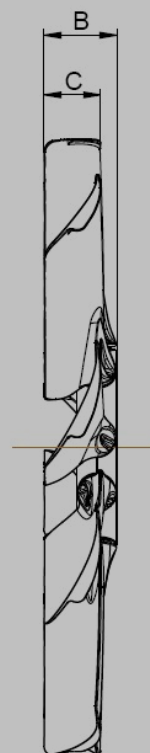
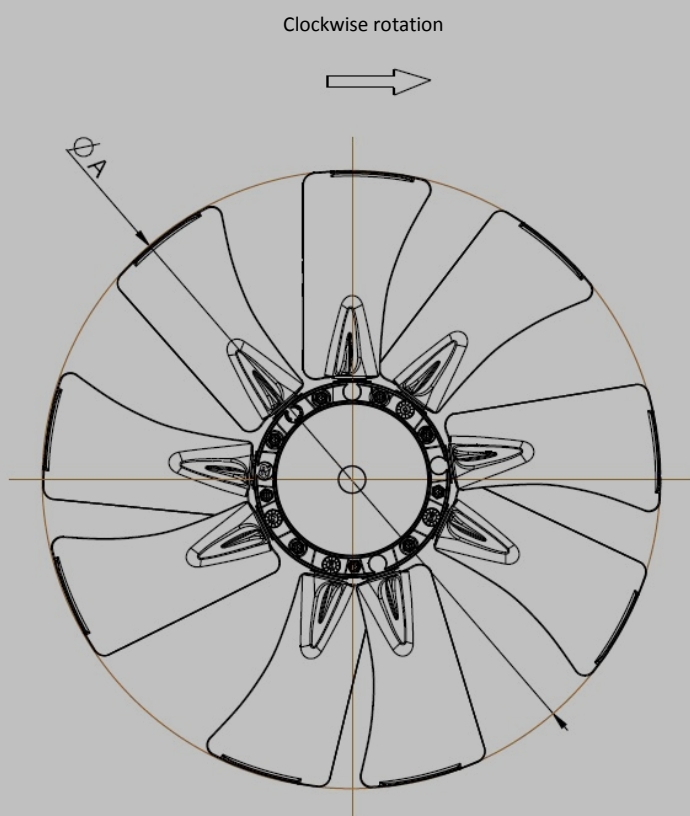
Fax: (+39) 011.997.35.35

<http://www.fratellirosati.it>

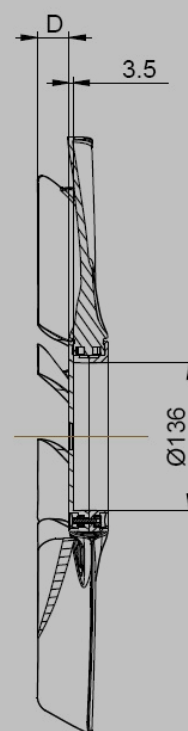
E-mail: [info@fratellirosati.it](mailto:info@fratellirosati.it)

# Fans

# RKWE



		ØA	B	C	D
Pitch angle	35°	552	64	50	33
	40°	552	68	58	37
	45°	552	71	67	40
	50°	552	74	75	43



All measures are expressed in millimeters.