

Ducts

PH-PK

PH-PK ducts line with cylindrical air inlet allows fans installation according to different working conditions.

They are made of double coated steel (electrogalvanization + epoxy coating, cataphoresis + epoxy) by means of cold forging.

Shape and dimensions are made by laser cut and assure the widest possibilities of customization.



TECHNICAL FEATURES

- Ducts made by cold forging
- Double coated steel
- 15 standard diameters
- Customized cylindrical collar height
- Customized shapes , dimensions and holes
- Customized coatings and RAL painting on request



Via Torino 272, 10040 Leini (TO) Italy

Tel.: (+39) 011.998.07.77

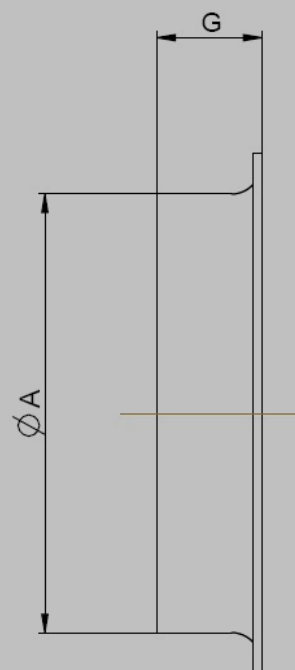
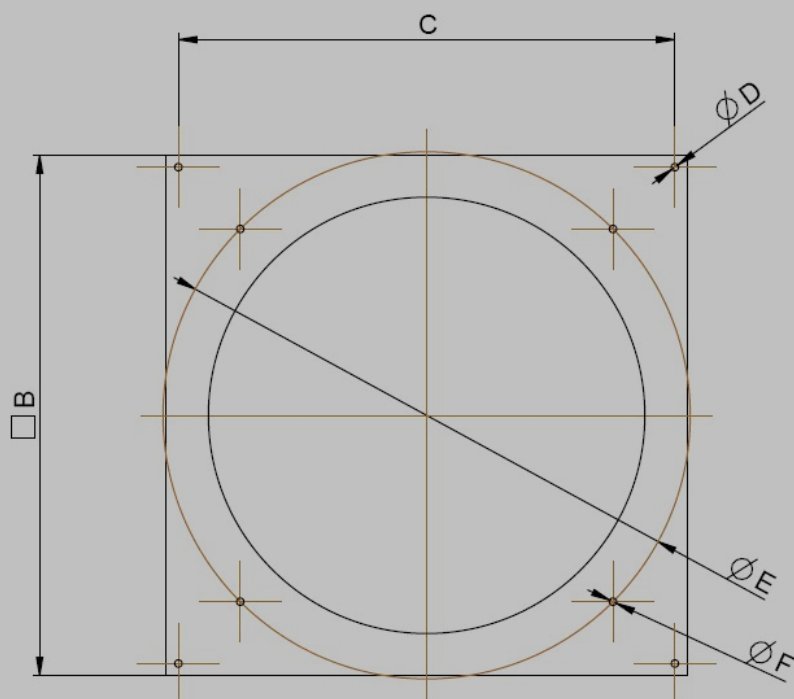
Fax: (+39) 011.997.35.35

<http://www.fratellirosati.it>

E-mail: info@fratellirosati.it

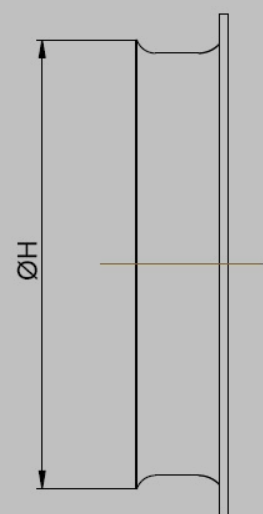
Ducts

PH-PK



PA—PH
Air inlet in cylindric shape

A	B	C	D	E	F	G max	H max
262	350	300	9	300	9	65	—
312	400	350	9	358	9	80	—
365	450	400	9	490	9	80	—
415	500	450	9	540	9	100	—
465	550	500	9	580	9	110	490
515	598	550	9	625	9	110	550
565	680	630	9	675	9	130	600
615	728	680	9	725	9	130	645
633	725	680	9	725	9	140	670
665	780	730	9	805	9	140	695
712	850	810	9	860	9	170	760
772	900	860	12	890	9	175	815
803	970	910	15	940	9	175	860
914	1070	1010	15	1050	9	200	960
1003	1200	1140	15	1180	9	205	—



PK
Air inlet and outlet in Venturi shape

All measures are expressed in millimeters.