

# Ducts

# BH-BK

BH-BK ducts line with cylindrical air inlet allows fans installation according to different working conditions.

They are made of double coated steel ( electrogalvanization + epoxy coating, cataphoresis + epoxy ) by means of cold forging.

Shape and dimensions are made by laser cut and assure the widest possibilities of customization.



Via Torino 272, 10040 Leini (TO) Italy

Tel.: (+39) 011.998.07.77

Fax: (+39) 011.997.35.35

<http://www.fratellirosati.it>

E-mail: [info@fratellirosati.it](mailto:info@fratellirosati.it)

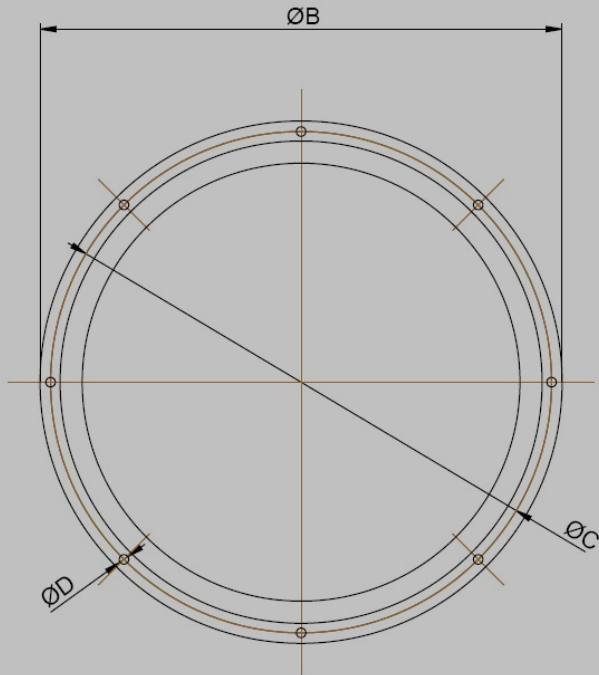


## TECHNICAL FEATURES

- Ducts made by cold forging
- Double coated steel
- 15 standard diameters
- Customized cylindrical collar height
- Customized shapes , dimensions and holes
- Customized coatings and RAL painting on request

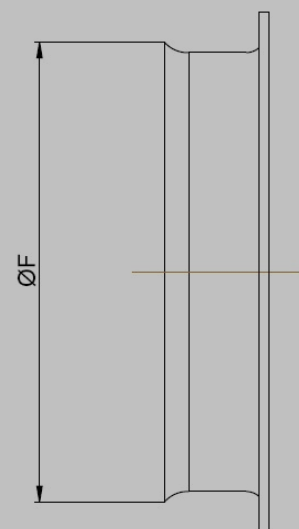
# Ducts

# BH-BK



**BA—BH**  
Air inlet in cylindrical shape

| A   | B    | C    | D | E max | F max |
|-----|------|------|---|-------|-------|
| 262 | 330  | 300  | 9 | 65    | -     |
| 312 | 380  | 355  | 9 | 80    | -     |
| 365 | 440  | 415  | 9 | 80    | -     |
| 415 | 495  | 475  | 9 | 100   | -     |
| 465 | 545  | 525  | 9 | 110   | 490   |
| 515 | 595  | 575  | 9 | 110   | 550   |
| 565 | 655  | 625  | 9 | 130   | 600   |
| 615 | 705  | 675  | 9 | 130   | 645   |
| 633 | 755  | 725  | 9 | 140   | 670   |
| 665 | 755  | 725  | 9 | 140   | 695   |
| 712 | 850  | 805  | 9 | 170   | 760   |
| 772 | 900  | 860  | 9 | 175   | 815   |
| 803 | 950  | 880  | 9 | 175   | 860   |
| 914 | 1100 | 1030 | 9 | 200   | 960   |



**BK**  
Air inlet and outlet in Venturi shape

All measures are expressed in millimeters.